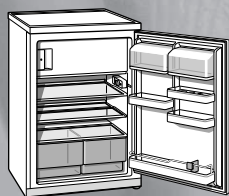


КРЕХ
бытовой техни

KTL../KUL../KTR../KUR..



- de Gebrauchsanleitung
- en Operating instructions
- fr Notice d'utilisation
- it Istruzioni per l'uso
- nl Gebruiksaanwijzing



BOSCH

en Index

Information concerning disposal	18	Storing deep-frozen food and making ice	24
Safety and warning information	18	Max. freezer capacity	25
Getting to know your appliance	20	Freezing food	25
Observe ambient temperature and ventilation	20	Thawing frozen food	26
Connecting the appliance	21	Switching OFF and disconnecting the appliance	26
Switching on the appliance	21	Defrosting the freezer compartment	27
Storing of food	22	Cleaning the appliance	28
Temperature indicator	23	Tips for saving energy	29
Interior fittings of refrigerator compartment	23	Operating noises	29
The freezer compartment	24	Eliminating minor faults yourself	30
		Customer service	32

en

Information concerning disposal


Disposal of packaging

The packaging protects your appliance from damage during transit. All packaging materials are environmentally friendly and recyclable. Please contribute to a better environment by disposing of packaging materials in an environmentally-friendly manner.

Please ask your dealer or inquire at your local authority about current means of disposal.

Disposal of your old appliance

Old appliances are not worthless rubbish! Valuable raw materials can be reclaimed by recycling old appliances.

 This appliance is labelled in accordance with European Directive 2002/96/EG concerning used electrical and electronic appliances (waste electrical and electronic equipment - WEEE). The guideline determines the framework for the return and recycling of used appliances as applicable throughout the EU.

Warning

Redundant appliances:

1. Pull out the mains plug.
2. Cut off the power cord and discard with the mains plug.

Refrigerators contain refrigerants and the insulation contains gases. Refrigerant and gases must be disposed of properly. Ensure that tubing of the refrigerant circuit is not damaged prior to proper disposal.

Safety and warning information

Before you switch ON the appliance

Please read the operating and installation instructions carefully.

They contain important information on how to install, use and maintain the appliance.

Keep all documentation for subsequent use or for the next owner.

Technical safety

- This appliance contains a small quantity of environmentally-friendly but flammable R600a refrigerant. Ensure that the tubing of the refrigerant circuit is not damaged during transportation and installation. Leaking refrigerant may cause eye injuries or ignite.

If damage has occurred

- Keep naked flames and/or ignition sources away from the appliance
- Pull out the mains plug.
- Thoroughly ventilate the room for several minutes
- Notify customer service

The more refrigerant an appliance contains, the larger the room must be. Leaking refrigerant can form a flammable gas-air mixture in rooms which are too small.

The room must be at least 1 m³ per 8g of refrigerant. The amount of refrigerant in your appliance is indicated on the rating plate inside the appliance.

en

- Only customer service may change the power cord and carry out any other repairs. Improper installations and repairs may put the user at considerable risk.

Important information when using the appliance

- Never use electrical appliances inside the appliance (e. g. heaters, electric ice makers, etc.). **Risk of explosion!**
- NEVER use a steam cleaner to defrost or clean the appliance. The steam may penetrate electrical parts and cause a short-circuit.
Risk of electric shock!
- Do not store products which contain flammable propellants (e. g. spray cans) or explosive substances in the appliance
Explosion hazard!
- Do not stand or support yourself on the base, drawers or doors, etc.
- Before defrosting and cleaning the appliance, pull out the mains plug or switch off the fuse.
Do not pull out the mains plug by tugging the cable.
- Bottles which contain a high percentage of alcohol must be sealed and stored in an upright position.
- Keep plastic parts and the door seal free of oil and grease. Otherwise, parts and door seal will become porous.
- Never cover or block the ventilation openings for the appliance.

Only for appliances with a freezer compartment:

- Do not store bottled or canned drinks (especially carbonated drinks) in the freezer compartment. Bottles and cans may explode!

- Never put frozen food straight from the freezer compartment into your mouth.

Risk of low-temperature burns!

- Avoid prolonged touching of frozen food, ice or the evaporator pipes, etc.
Risk of low-temperature burns!
- Do not scrape off hoarfrost or stuck frozen food with a knife or pointed object. You could damage the refrigerant tubing. Leaking refrigerant may ignite or cause eye injuries.

Children in the household

- Keep children away from packaging and its parts. Danger of suffocation from folding cartons and plastic film!
- Do not allow children to play with the appliance!
- If the appliance features a lock, keep the key out of the reach of children.

General requirements

The appliance is suitable

- for refrigerating and freezing food,
- for making ice.

The appliance is designed for domestic use.

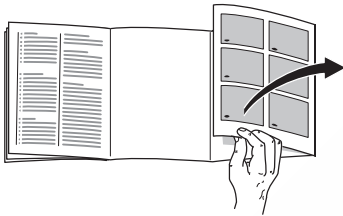
The appliance has been interference-suppressed in compliance with EU Directive 89/336/EEC.

The refrigerant circuit has been tested for leaks.

This product complies with the relevant safety regulations for electrical appliances (EN 60335/2/24).

en

Getting to know your appliance



Please fold out the illustrated last page. These operating instructions refer to several models.

The illustrations may differ.

Example of features

*not all models

Fig. 1

- 1 Ventilation openings*
 - 2 Temperature selector/Interior light
 - 3 Shelf in the refrigerator compartment
 - 4 Vegetable container
 - 5 Butter and cheese compartment*
 - 6 Egg rack
 - 7 Shelf for tubes and small tins
 - 8 Shelf for large bottles
- A Freezer compartment*
- B Refrigerator compartment

Observe ambient temperature and ventilation

Depending on the “climatic class” (see rating plate), the appliance can run at the following ambient temperatures: The rating plate is situated in the bottom left-hand side of the appliance.

Climatic class	Permitted ambient temperature
SN	+10 °C to 32 °C
N	+16 °C to 32 °C
ST	+18 °C to 38 °C
T	+18 °C to 43 °C

If the ambient temperature drops below the permitted temperature limit, the freezer compartment may become too warm. The frozen food may thaw in extreme cases.

Appliances which feature an ambient temperature switch can run at an ambient temperature of +16 °C to +10 °C when this switch is on. To switch on, press the switch, Fig. 2/A, – mark “0” is no longer visible. The light inside the appliance continues glowing at a reduced luminosity. If the ambient temperature rises above +16 °C, switch off the switch again.

en

Ventilation

The air at the back of the appliance will heat up. This warm air must be allowed to freely escape, otherwise the refrigerating machine must perform more. This raises electricity consumption. Hence, the air-inlet and outlet apertures should never be covered or blocked off!

Connecting the appliance

After installing the appliance, wait at least ½ hour until the appliance starts up. During transportation the oil in the compressor may have flowed into the refrigeration system.

Before switching on the appliance for the first time, clean the interior (see Cleaning).

The socket should be freely accessible.

Connect the appliance to 220–240 V/ 50 Hz alternating current via a correctly installed earthed socket. The socket must be fused with a 10 A fuse or higher.

If the appliance is to be operated in a non-European country, check on the rating plate whether the indicated voltage and current type correspond to the values of your mains supply. The rating plate is situated in the bottom left-hand side of the appliance. The power cord may be replaced by an electrician only.

Switching on the appliance

Rotate temperature selector, **Fig. 2/2**, from controller position “0”. Interior light is switched on when the door is open.

Selecting the temperature

We recommend storing perishable foods at a temperature not warmer than +4 °C.

When the controller is at a medium setting, the temperature drops to approx. +4 °C in the coldest zone, **Fig. 4**.

Higher settings result in lower temperatures in the refrigerator and freezer compartments.

We recommend:

- for short-term storage of food: **low** controller setting (energy-saving mode, e.g. 1–2)
- for long-term storage of food: **medium** controller setting (e.g. 2–3)
- select a **higher** controller setting (e.g. 4–5) only temporarily if: the door is opened fairly frequently, large quantities of food are placed in the refrigerator compartment.

Refrigerating capacity

The temperature in the refrigerator compartment may rise temporarily if large amounts of food or a lot of drinks are placed in the refrigerator compartment.

Therefore the temperature controller should be rotated to a higher setting (e.g. setting 4) for approx. 7 hours

en

Operating tips

The refrigerator compartment temperature drops temporarily:

- if large amounts of fresh food are frozen in the freezer compartment.*

The refrigerator compartment temperature rises:

- if the appliance door is opened frequently,
- if large quantities of food are placed in the refrigerator compartment,
- if the ambient temperature is high.

Condensation droplets or frost in the refrigerator compartment

While the refrigerating unit is running, beads of condensation or hoarfrost form at the back of the refrigerator compartment. This is quite normal.

It is not necessary to wipe off the condensation or frost. The rear panel defrosts automatically. The condensation runs into the drainage channel **Fig. 3** and then to the refrigerating unit where it evaporates.

If the air humidity is high, condensation may form in the refrigeration compartment, especially on the underside of the glass shelves. Therefore, do not cover the ventilation openings in the glass shelves with food.

Storing of food

Take note of the cold zones in the refrigerating zone!

Due to the air circulation in the refrigerating zone, zones with different temperatures are produced:

- **Coldest zones**

is between the arrow stamped on the side and the glass shelf situated below, **Fig. 4**.

Note: Store perishable food (e.g. fish, sausage, meat) in the coldest zones.

- **Warmest zone**

is at the very top of the door.

Note: Store the following in the warmest zone, e.g. cheese and butter. When serving, the cheese keeps its aroma and the butter remains spreadable.

When storing the food, note

that food is well wrapped or covered over. In this way, the aroma, colour and freshness remain. Apart from which, the transfer of taste and dyeing of plastic parts is avoided.

We recommend arranging the food as follows:

- **In the freezer compartment* :**
Frozen food, ice cubes, ice cream
- **On the shelves** in the refrigerator compartment (from top to bottom):
cakes and pastries, ready meals, dairy products, meat and sausage
- **In the vegetable container:**
vegetables, salad, fruit
- In the **door** (from top to bottom):
butter, cheese, eggs, tubes, small bottles, large bottles, milk, juice cartons

en

Usable capacity

Information on the usable capacity can be found inside your appliance on the rating plate.

Temperature indicator

(Not all models)

Do not expose the temperature indicator to direct sunlight and do not place in your mouth.

The **temperature indicator indicates temperatures below +4 °C** and is used to determine the required setting of the temperature controller. Set the temperature controller between 2 and 3 depending on the ambient temperature. Select +4 °C or colder for a degree-precision setting.

After approx. 12 hours, when the temperature has dropped below +4 °C, the colour of the temperature indicator changes from black to green and "O.K." is also indicated (if this does not occur, gradually set the temperature selector colder).



Correct setting



Temperature too high, set temperature controller colder

Interior fittings of refrigerator compartment

You can vary the shelves inside the refrigerator compartment and the door shelves as and when required: Pull the shelf forwards, lower and swing out to the side, **Fig. 5**. Raise the door shelf and remove, **Fig. 6**.

Special features

(not all models)

"Vario" shelf
(For storage of tall items)

Fig. 7

Remove the front half of the split glass panel and insert into the groove situated below.

Bottle shelf

Fig. 8

Bottles can be stored securely on the bottle shelf. The holder can be adjusted.

Bottle holder

Fig. 9

The bottle holder prevents bottles from falling over when the door is opened and closed.

Egg rack

Fig. 10

The egg racks in the containers can be lifted up, allowing the storage of tubes, small tins, etc.

en

The freezer compartment*

Use the freezer compartment

- For storing frozen food
- For making ice cubes
- For freezing small quantities of food

The freezer compartment door closes with a noticeable click.

Make sure the freezer compartment door is kept closed at all times. If the door is left open, the contents of the freezer compartment will start to thaw. There will be a build-up of ice inside the freezer compartment and, in addition, a considerable amount of energy will be wasted due to higher electricity consumption.

Door closed indicator

(not all models)

The door closed indicator **Fig. 11** signals that the freezer compartment door is closed properly.

- red display: the freezer compartment door is open
- white display: the freezer compartment door is closed

Storing deep-frozen food and making ice*

When purchasing deep-frozen food, comply with the following:

- Check that the packaging is not damaged.
- Check the sell-by date.
- The temperature of the supermarket freezer should be -18°C or lower. If not, the storage life of the food is reduced.
- Purchase deep-frozen food last. Wrap in newspaper or place in a cold bag and take home.
- At home immediately place deep-frozen food in the freezer compartment. Close the freezer compartment door properly. Use the deep-frozen food before the sell-by date runs out.
- Do not refreeze thawed food. Exception: If you use the food to make a ready meal (boiling or frying), you can refreeze this ready meal.

Fill the ice tray $\frac{3}{4}$ full with water and place in the freezer compartment drawer. If required, loosen the frozen ice cube tray with a blunt implement (spoon handle, etc.). Do not use pointed or sharp-edged implements!

- Loosen the ice cubes by briefly holding the ice cube tray under running water or bend slightly **Fig. 12**.

en

Max. freezer capacity*

Food should be frozen right through as quickly as possible. Only in this way are vitamins, nutritional values, appearance and taste retained. Therefore, you should not exceed the maximum freezing capacity of your appliance.

Freezing capacity

Information about the max. freezing capacity within 24 hours can be found on the rating plate.

Note:

Freezing fresh food automatically causes the refrigerating unit to remain in operation until all items are frozen all the way through. **This can lead to a drop in temperature inside the refrigerator section.** Set the temperature selector to a lower setting.

Freezing food*

Freeze fresh, undamaged food only. Keep food which is to be frozen away from food which is already frozen. To prevent food from losing its flavour or drying out, place in airtight containers.

How to wrap food correctly:

1. Place the food in the wrapping.
2. Press out all the air.
3. Seal the wrapping.
4. Label the wrapping with the contents and date.

The following products are not suitable for wrapping food:

Wrapping paper, greaseproof paper, cellophane, refuse bags and used shopping bags.

The following products are suitable for wrapping food:

Plastic film, polyethylene blown film, aluminium foil and freezer tins.
These products can be purchased from your dealer.

The following products are suitable for sealing the wrapped food:

Rubber bands, plastic clips, string, cold-resistant adhesive tape or similar.
Bags and polyethylene blown film can be sealed with a film sealer.

en

Storage duration of the frozen food

Depends on the type of food. At a mean temperature:

- Fish, sausage, ready meals and cakes and pastries:
up to **6 months**
- Cheese, poultry and meat:
up to **8 months**
- Vegetables and fruit:
up to **12 months**

Thawing frozen food*

Depending on the type of food and intended use, frozen produce can be thawed as follows:

- At room temperature
- In the refrigerator
- In an electric oven, with/without fan assisted hot-air
- In the microwave

Note

Do NOT refreeze food which is beginning to thaw or which has already thawed. It can only be refrozen when it has been used to prepare a ready meal (boiled or fried).

No longer store the frozen produce for the max. storage period.

Switching OFF and disconnecting the appliance

Switching OFF the appliance

Turn the temperature selector **Fig. 2/2** to "0". The refrigerating unit and interior light switch OFF.

Disconnecting the appliance

If the appliance is not to be used for a prolonged period:

1. Pull out the mains plug or switch off the fuse.
2. Defrost and clean the appliance
3. Leave the appliance door and freezer-compartment door open.

en

Defrosting the freezer compartment*

The freezer compartment does not defrost automatically, as the frozen food must not thaw. A layer of hoarfrost in the freezer compartment will impair refrigeration of the frozen food and increase power consumption. Remove the layer of hoarfrost regularly.

Attention: Do not scrape off hoarfrost or ice with a knife or pointed object. You could damage the refrigerant tubing. Leaking refrigerant may ignite or cause eye injuries.

Proceed as follows:

1. Remove the frozen food and store temporarily in a cool location.
2. Pull out the mains plug or remove the fuse.
3. Leave the appliance door open. Wipe up condensation with a cloth or sponge.
4. Wipe the freezer compartment dry.
5. Switch on the appliance again.
6. Put the frozen food back in the freezer compartment.

Defrosting aids

You can accelerate the defrosting process by placing a pan of hot water in the freezer compartment.

Attention: place the pan on a heat-insulating base!

Warning: Never use electrical appliances or naked flames to defrost the freezer compartment, e.g. heaters, steam cleaners, candles, kerosene lamps, etc.

Caution when using defrosting sprays:

- Defrosting sprays may form explosive gases.
- Defrosting sprays may contain solvents or propellants which attack plastic.
- Defrosting sprays may be a health hazard.

Follow the manufacturer's instructions.

Refrigerator compartment defrosts fully automatically

While the refrigerating unit is running, beads of condensation or hoarfrost form at the back of the refrigerator compartment. This is quite normal. It is not necessary to wipe off the condensation or frost. The rear panel defrosts automatically. The condensation runs into the condensation channel **Fig. 3** and is conveyed to the refrigerating unit where it evaporates.

Note: Keep the condensation channel and drain hole **Fig. 3** clean so that the condensation can drain.

en

Cleaning the appliance

1. **Attention: Pull out the mains plug or switch off the fuse!**
2. Wipe the door seal with clear water only and then wipe dry thoroughly.
3. Clean the appliance with lukewarm water and a little washing-up liquid. The rinsing water must not get into the temperature selector or light, **Fig. 2**.
4. After cleaning: reconnect and switch on the appliance.

Do not use abrasive or acidic cleaning agents and solvents.

Regularly clean the condensation channel and drainage hole, **Fig. 3**, with a cotton bud or similar implement to ensure that the condensation can drain.

The rinsing water must not run through the drain hole into the evaporation pan.

Attention!

Never clean the shelves or containers in the dishwasher. The parts may warp!

If appliances feature a ventilation grille in the base, the panel can be removed for cleaning. To do this, depress the clips in the ventilation slots and simultaneously remove the base panel forwards. **Fig. 13**

Important care information for stainless steel appliances

Use “Chromol” cleaning agent for cleaning stainless steel surfaces.

This cleaning agent is available on the market under the name “Chromol” or from your customer service under

ident-no. 310359 as a 500 ml spray can or under

ident-no. 166787 as a 50 ml trial can.

To prevent damage to the surfaces, under no circumstances use abrasive sponges, metal brushes, sharp-edged implements or scouring agents. Chemically aggressive cleaning agents, such as defrosting sprays, oven sprays, solvents or stain removers must not be used either.

The stainless steel surface should be cleaned in the direction of the grain.

en

Tips for saving energy

- Install the appliance in a dry, well ventilated room, but not in direct sunlight and not near a heat source (e.g. radiator, cooker, etc.). If required, use an insulating plate.
- Allow warm food and drinks to cool down before placing in the appliance!
- When thawing frozen products, place them in the refrigerator. The low temperature of the frozen products cools the food in the refrigerator.
- Open and close the door as briefly as possible.
- A layer of hoarfrost in the freezer compartment will impair refrigeration of the frozen food and increase power consumption. Defrost the appliance if frost forms!*
- Ensure that the freezer compartment door* has been closed properly.
- Occasionally clean the rear of the appliance with a vacuum cleaner or paint brush to prevent an increased power consumption.

Operating noises

Completely normal noises

Humming noise – refrigerating unit is running.

Bubbling, whirring or gurgling noises – refrigerant is flowing through the refrigeration tubing.

Clicking noise – motor is switching on or off.

Noises which can easily be eliminated

The appliance is not standing level

Please use a spirit-level to ensure that the appliance is standing level. Adjust the threaded feet or place something underneath to bring the appliance level.

The appliance is crowded

Please leave clearance between the appliance and surrounding furniture or appliances.

Drawers, baskets or storage surfaces are unsteady or stick.

Please check that the removable parts are correctly in position and reinsert if necessary.

The containers are touching

Place the bottles or containers a little apart.

*only for appliances with a freezer compartment

en

Eliminating minor faults yourself

Before you call customer service:

Please check whether you can eliminate the fault yourself based on the following information.

Customer service will charge you for advice, even if the appliance is still under guarantee!

Fault	Possible cause	Remedial action
Interior light does not function.	The bulb is defective.	Replace bulb <ol style="list-style-type: none"> 1. Pull out the mains plug or disconnect the fuse. 2. Slide cover grille forwards and remove. 3. Change the bulb Fig. 14/B. (replacement bulb max. 25 W, 220–240 V a.c., E14 lampholder)
	Light switch is sticking. Fig. 14/A	Check whether it can be moved.
The frozen food is frozen solid.*		Loosen frozen food with a blunt object. Do not use a knife or pointed object. You could damage the refrigerant tubing or the plastic surface.
There is a thick layer of frost in the freezer compartment.*		Defrosting the freezer compartment (see Defrosting). Always ensure that the freezer compartment door is closed properly. Freezer compartment door must "click" shut.
Floor of the refrigerator compartment is wet.	The condensation outlet is blocked.	Clean the condensation channel and outlet (Fig. 3 , see Cleaning the appliance)

en

Fault	Possible cause	Remedial action
The temperature in the refrigerator compartment is too cold.	The freezer compartment door has not been closed properly.*	Close the freezer compartment door. Freezer compartment door must “click” shut.
	If large quantities of fresh food are being frozen, the temperature in the refrigerator compartment drops temporarily, as the refrigerating unit runs for a long time.*	Do not exceed max. freezing capacity.
	Temperature selector has been set too high.	Move the temperature selector to a lower setting.
The refrigerating unit is switching on more frequently and for longer.	Appliance door opened frequently.*	Do not open the door unnecessarily.
	Large quantities of fresh food are being frozen.*	Do not exceed max. freezing capacity.
	The ventilation openings have been covered.	Remove obstacles.
The frozen food is thawing.*	The ambient temperature is colder than +16 °C. The refrigerating unit is starting less frequently.	Increase the ambient temperature above +16 °C. If appliances feature an ambient temperature switch, Fig. 2/A , switch on. To switch on, press the lower side of the switch – red mark becomes visible. The light inside the appliance glows at a reduced luminosity.
	The temperature selector is on “0”.	Rotate the temperature selector from position “0”.
Refrigerator has no cooling capacity.	Power failure; the fuse has been switched off; the mains plug has not been inserted properly.	Check whether the power is on, check the fuses.

*only for appliances with a freezer compartment

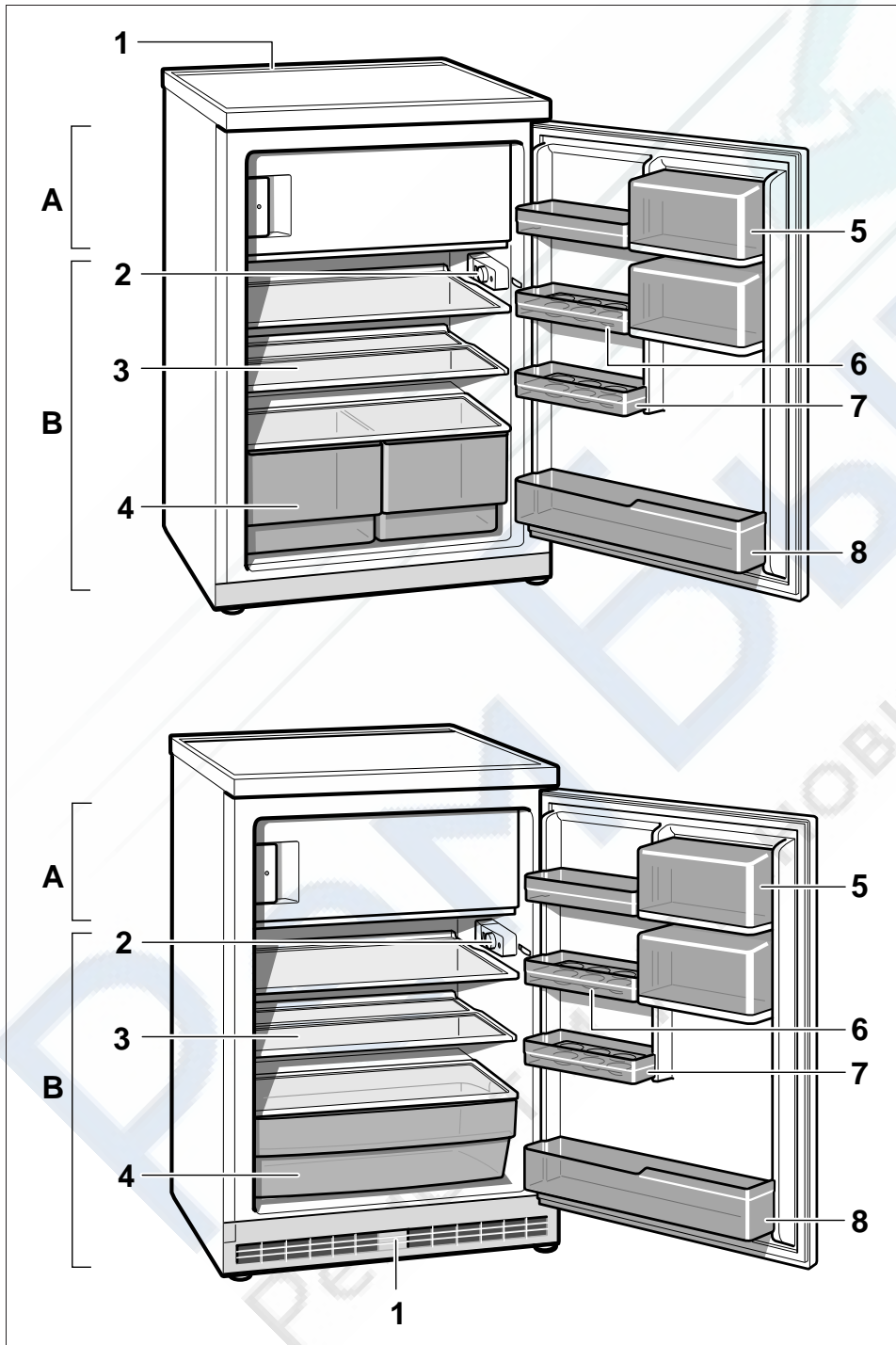
en

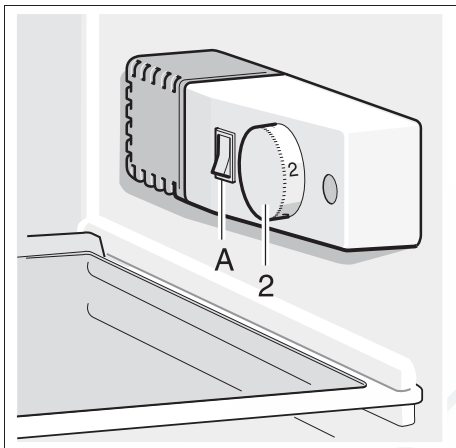
Customer service

Please check your telephone book or the customer-service list for your nearest customer-service facility. When contacting customer service, please ALWAYS quote the product number (E-number) and production number (FD-number) of your appliance.

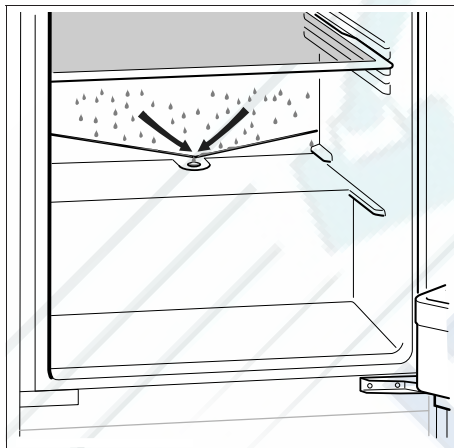
These numbers can be found on the rating plate. **Fig. 15**

To prevent unnecessary call-outs, please assist customer service by quoting the product and production numbers. This will save you additional costs.

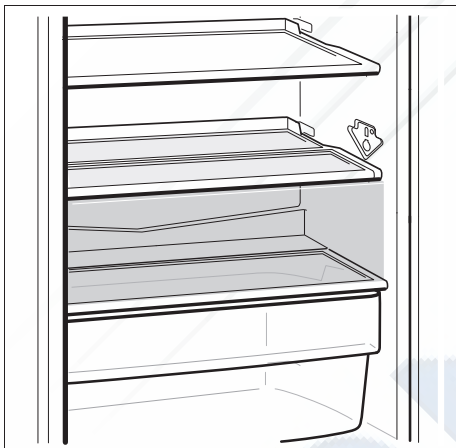




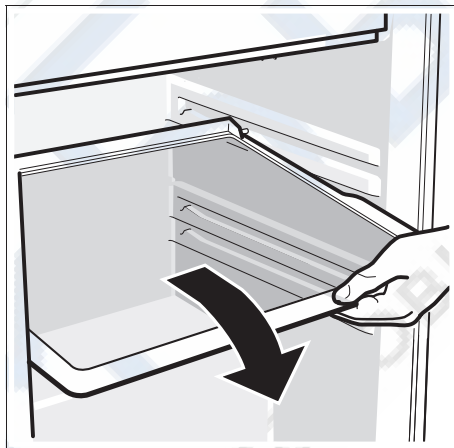
2



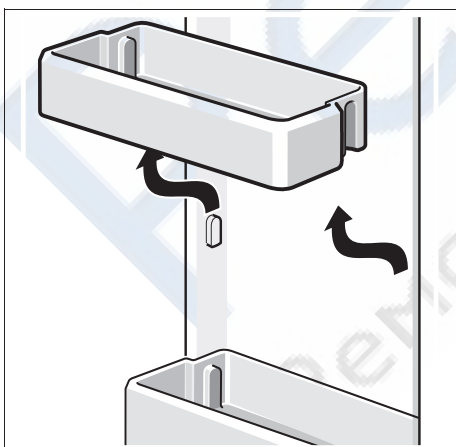
3



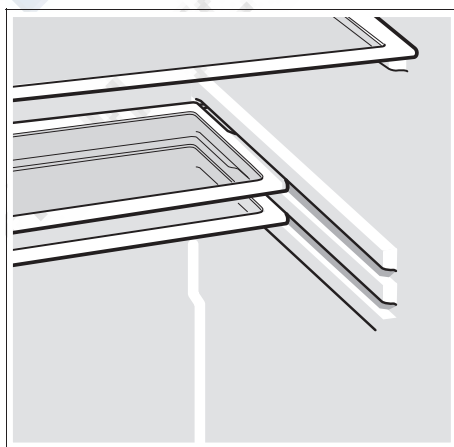
4



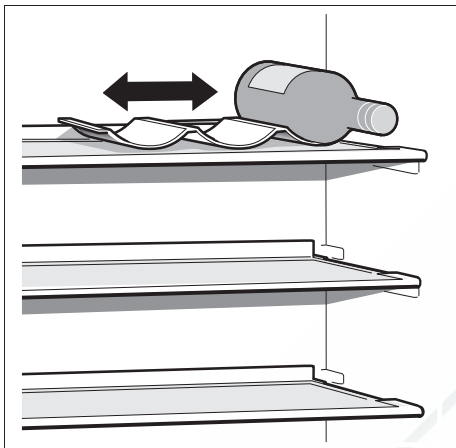
5



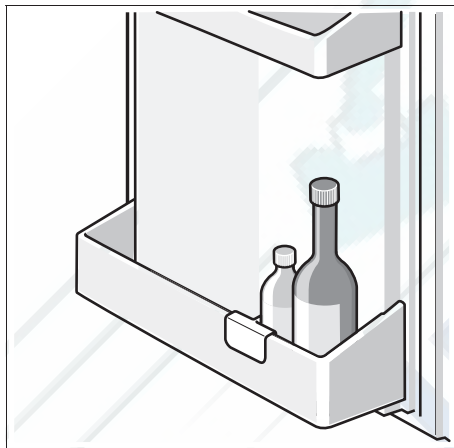
6



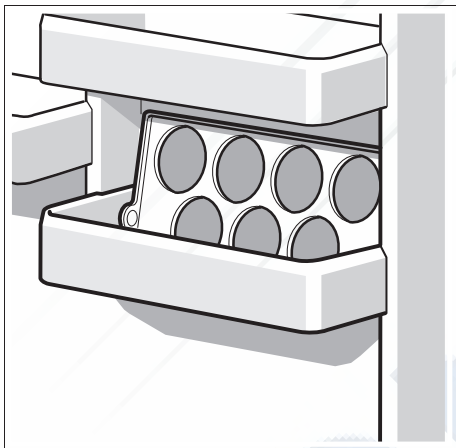
7



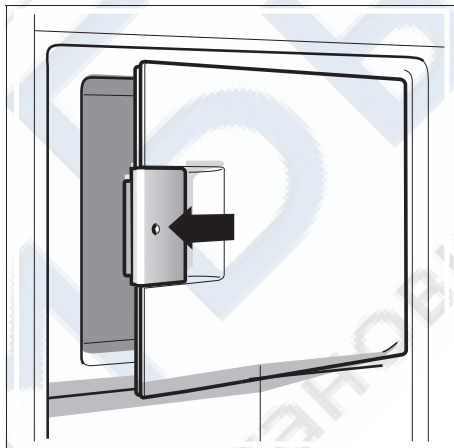
8



9



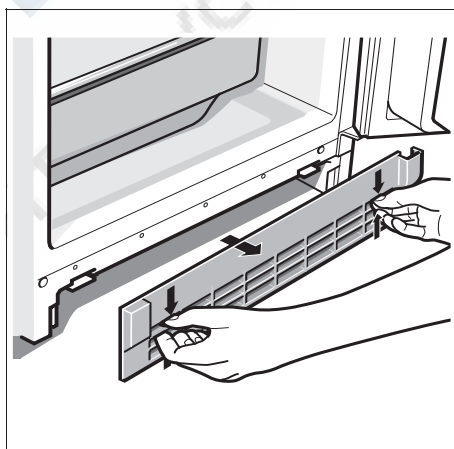
10



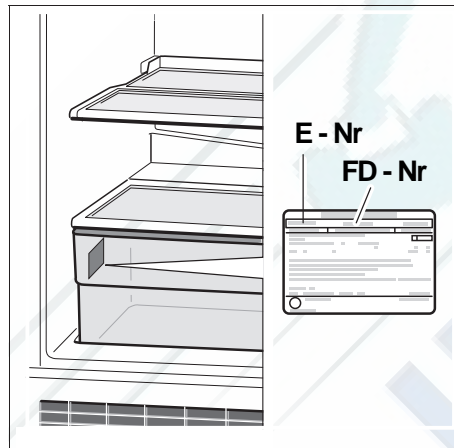
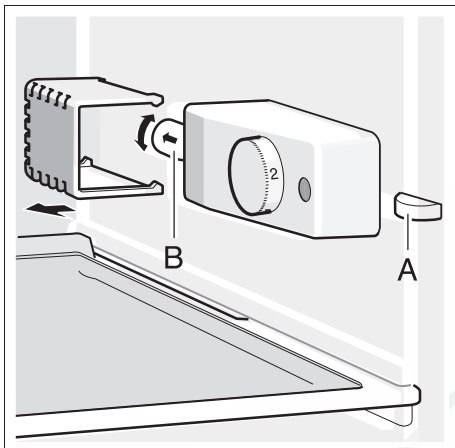
11



12



13



Bosch Info-Team:
DE Tel. 0180/5 30 40 50 (EUR 0,12/Min. DTAG)

Änderungen vorbehalten.
Subject to alterations.
Sous réserve de modifications.
Salvo modifichie.
Wijzigingen voorbehouden.